

The ultimate mobility tool

Batec handbikes are a comprehensive solution to your mobility problems:

- ✓ Go from reduced to **augmented mobility**; from needing help to being **independent** and **proactive**.
- ✓ Get a **2 in 1**, without giving up your manual wheelchair.
- ✓ **Overcome obstacles** and **drive over bumpy terrains**.
- ✓ Attach our handbikes **in just seconds** and **with no need for transfers**.
- ✓ Also available for **quadriplegics** and **hemiplegics**.



Request a quote or a demonstration without any commitment!



You CAN get used to being in a **wheelchair**



But not to giving up on

LIFE

www.batec-mobility.com

BATEC MOBILITY S.L.

Illa de Buda, 2

08192 Sant Quirze del Vallès

(Barcelona) - ESPAÑA

93 544 2003

info@batec-mobility.com



BATEC
MOBILITY



BATEC ELECTRIC 2
The perfect balance

BATEC ELECTRIC 2, the perfect balance

The **BATEC ELECTRIC** is the latest in our saga of handbikes. It features the latest **Batec Mobility** technology and an **18" Wheel** designed exclusively for this model, which means you can use it both in **urban** and **off-road settings**.



All-in-one LCD screen with gear selector.



18" Wheel, ultra-grip tyre and aluminium double-wall rim.



250 RPM 900W high torque brushless motor with reverse gear. Maximum speed 25 Km/h.



180 mm disc, two mechanical brakes, two aluminium levers with parking brake.



700-lumen front light with position lights / high beam options. Dual LED tall light on the stand frame.



Horn and USB port.



Removable right dropout for easy inner tube or tyre change.



Removable QR weights.



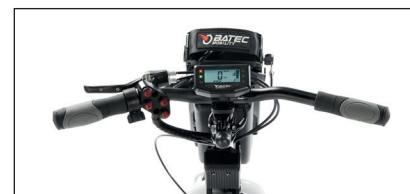
21,5 km* autonomy with 36 V - 280 Wh battery. 44 km* autonomy with 36 V - 576 Wh battery. 4A charger.



Matte black aluminium handlebar with folding system for convenience.

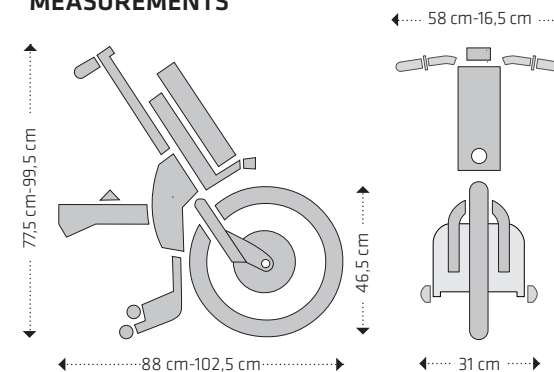


G&B handlebar option without levers for quadriplegics.



Handlebar option with right or left Monolever brakes for hemiplegics.

MEASUREMENTS



COLOURS



* Autonomy calculated under the following conditions: 75 - kg user, ultra-light wheelchair, flat terrain, no wind and steady speed of 15 km/h. May vary +/- 20% depending on the battery.
Number/version: MM-008/7.0. | October 2023