

# The ultimate mobility tool

**Batec handbikes** are a comprehensive solution to your mobility problems:

- ✓ Go from reduced to **augmented mobility**; from needing help to being **independent** and **proactive**.
- ✓ Get a **2 in 1**, without giving up your manual wheelchair.
- ✓ **Overcome obstacles** and **drive over bumpy terrains**.
- ✓ Attach our handbikes **in just seconds** and **with no need for transfers**.
- ✓ Also available for **quadriplegics** and **hemiplegics**.



Request a quote or a demonstration without any commitment!



You CAN get used to being in a **wheelchair**



But not to giving up on

**LIFE**

[www.batec-mobility.com](http://www.batec-mobility.com)

**BATEC MOBILITY S.L.**

Illa de Buda, 2

08192 Sant Quirze del Vallès

(Barcelona) - ESPAÑA

93 544 2003

[info@batec-mobility.com](mailto:info@batec-mobility.com)



**BATEC**  
MOBILITY



**BATEC RAPID 2**  
Overcome your limits



# BATEC RAPID 2, overcome your limits

The **BATEC RAPID 2** is the new version of the BATEC RAPID. It features the latest **Batec** handbike technology in a **smaller package** than its predecessor, for a product that combines the best **power** and **agility**.



All-in-one LCD screen with gear selector. Horn and USB port.



Ultra-grip tyre 18" x 2.40". Black double-wall aluminium rim.



300 RPM 1200W high torque brushless motor with reverse gear. Maximum speed 30 Km/h.



180 mm disc, two mechanical brakes, two aluminium levers with parking brake.



700-lumen front light with position lights / high beam options. Dual LED tall light on the stand frame.



55 km\* autonomy with 48 V - 748 Wh battery. Delivered with ultra-fast 3A charger.



Removable right dropout for easy inner tube or tyre change.



Removable QR weights.



Graphite with red trim.



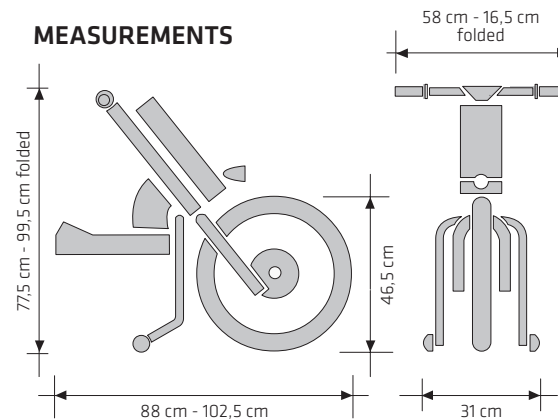
Matte black aluminium handlebar with folding system for convenience.



G&B handlebar option without levers for quadriplegics.



Handlebar option with right or left Monolever brakes for hemiplegics.



## COLOURS



\* Autonomy calculated under the following conditions: 75 - kg user, ultra-light wheelchair, flat terrain, no wind and steady speed of 15 km/h. May vary +- 20% depending on the battery.  
Number/version: MM-012/4.0 | October 2023