

The ultimate mobility tool

Batec handbikes are a comprehensive solution to your mobility problems:

- ✓ Go from reduced to **augmented mobility**; from needing help to being **independent** and **proactive**.
- ✓ Get a **2 in 1**, without giving up your manual wheelchair.
- ✓ **Overcome obstacles** and **drive over bumpy terrains**.
- ✓ Attach our handbikes **in just seconds** and **with no need for transfers**.
- ✓ Also available for **quadriplegics** and **hemiplegics**.



Request a quote or a demonstration without any commitment!



You CAN get used to being in a **wheelchair**



But not to giving up on

LIFE

www.batec-mobility.com

BATEC MOBILITY S.L.

Illa de Buda, 2

08192 Sant Quirze del Vallès
(Barcelona) - ESPAÑA

93 544 2003

info@batec-mobility.com



BATEC
MOBILITY



BATEC SCRAMBLER 2
Adventure is everywhere

BATEC SCRAMBLER 2

Adventure is everywhere

More powerful and safer, the **BATEC SCRAMBLER 2** arrives with improvements that will delight **fans of speed and off-road experiences**. If you are looking for intense sensations, the SCRAMBLER 2 is the perfect option for you. With innovative proprietary electronics and an even more off-road look.



All-in-one LCD screen with gear selector. Horn and USB port.



New proprietary electronics and anti-slip function.



300 RPM 1440 W high-torque brushless motor with reverse gear. Maximum speed 30 km/h.



19" wheel with ultra-grip tyre and double-wall black aluminium rim.

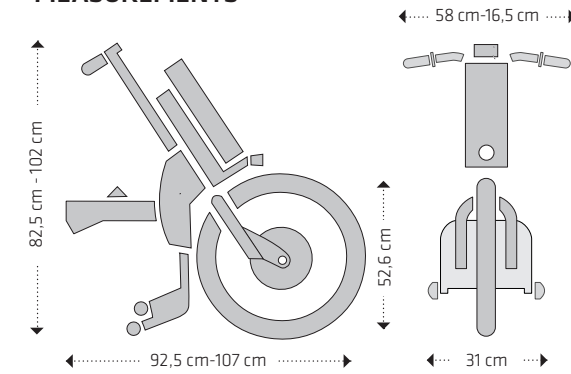


200/203 mm disc, two mechanical brakes, two aluminium levers with parking brake.



Stand frame with suspension. Includes double LED taillight.

MEASUREMENTS



COLOUR



2000 lumens dual frontlight. Position and high beam lights. Retro-inspired yellow lens.



Storage bag.



55 km* autonomy with 48 V - 748 Wh battery.

Battery with padded protective stickers in a matte black finish



Matte black aluminium handlebar with folding system for convenience.



G&B handlebar option without levers for quadriplegics.



Handlebar option with right or left Monolever brakes for hemiplegics.



* Autonomy calculated under the following conditions: 75 - kg user, ultra-light wheelchair, flat terrain, no wind and steady speed of 15 km/h. May vary +/- 20% depending on the battery.
Number/version: MM-009/5.0 | October 2023